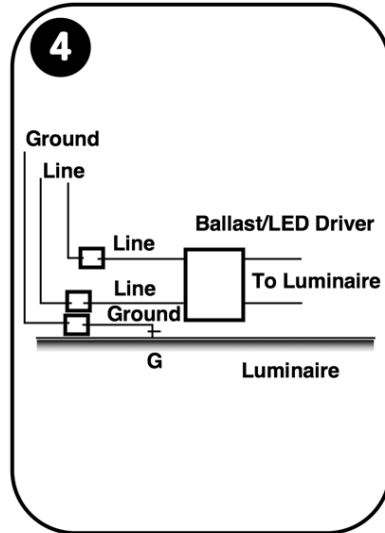
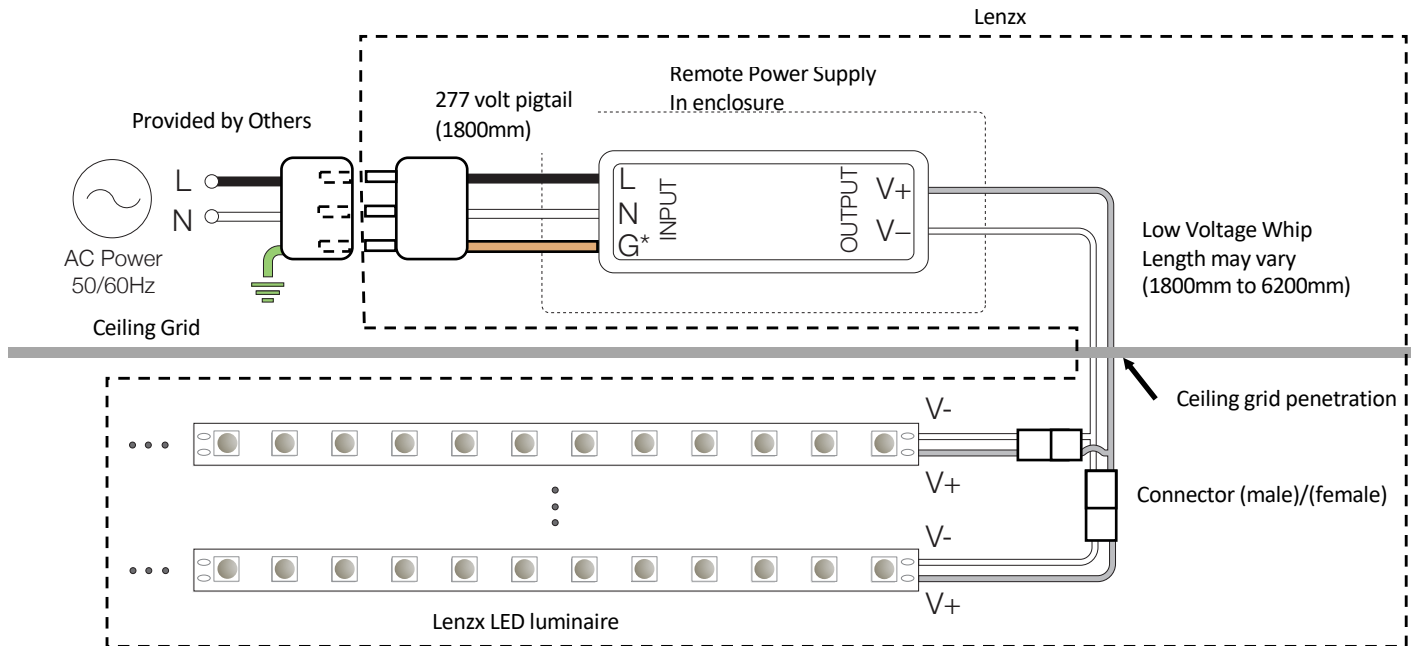


# Luminaire Wiring Installation Diagram - Retrofit

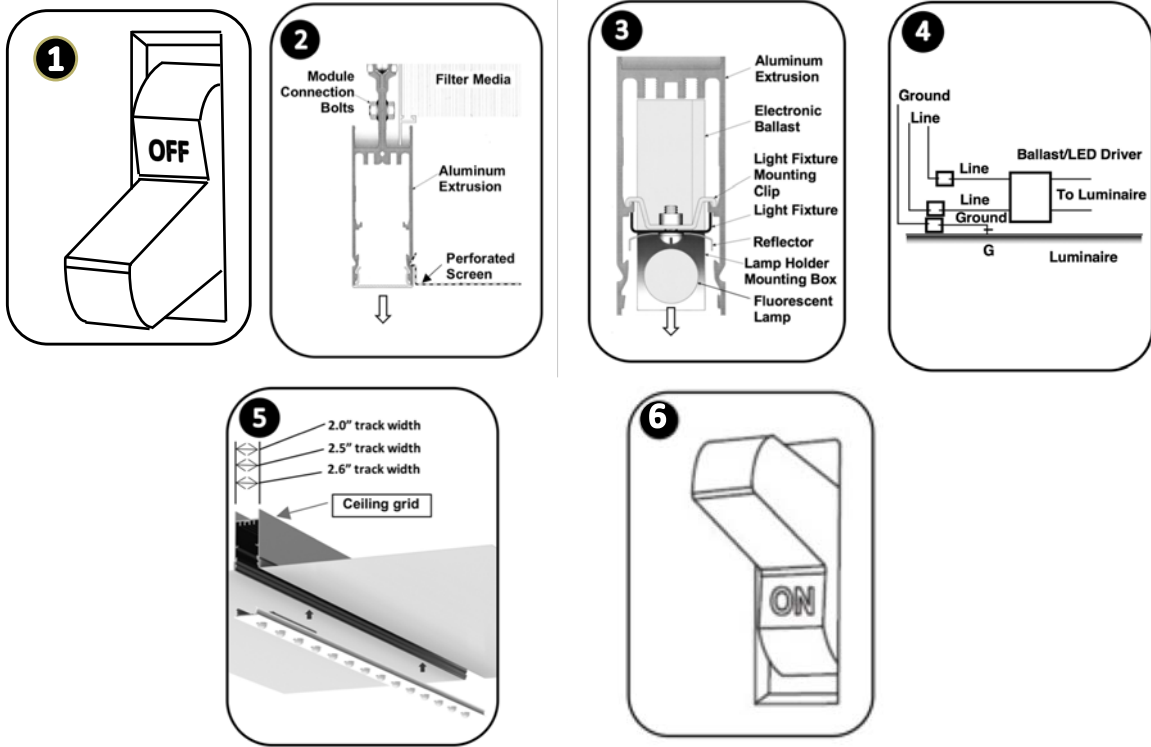
- 1) Remove fixture cover, ballast and lamp holders if applicable.
  - 2) Leave lead wires with terminal connectors at their full length.
  - 3) Remove ground wire last and leave with a terminal connector at full length.
  - 4) Wire luminaire connecting ground wire first as shown on drawing number 4.
- Note: Final compliance/inspections to local standards/regulations of the luminaire is the responsibility of the installer.



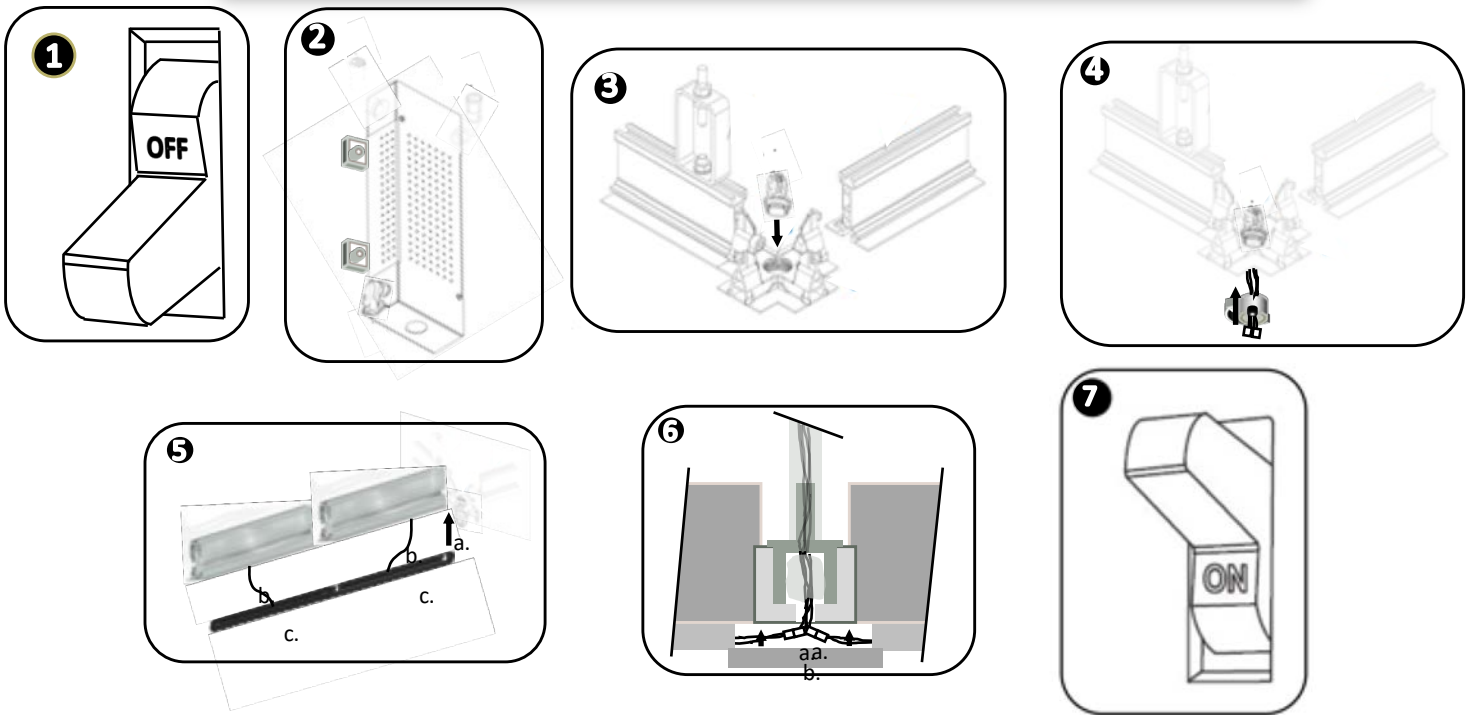
# Luminaire Wiring Installation Diagram – Low Profile



# Installation Guide Steps - Retrofit



# Installation Guide Steps – Low Profile



LED LIGHTING AND PERFORMANCE SOLUTIONS

<https://lenzx.com/products/>

LENZX Monogram are trademarks of the LENZX Company. All other trademarks are the property of their respective owners. Information provided is subject to change without notice. All values are design or typical values when measured under laboratory conditions. LENZX LLC © 2022

Lenzx LLC